

KIOSK Thermal Printing Module(80mm)

Model Explication

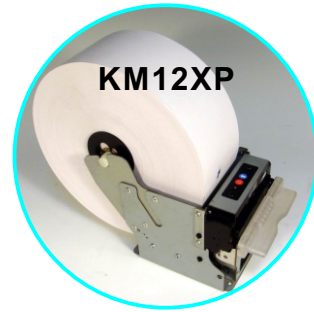
KM11RN

1:80mm, 250mm/s	N:without Paper Mouth P:with Paper Mouth
1:Φ80mm 2:Φ200mm	R:with RS232 Driver Board U:with USB Driver Board D:with Rs232 and USB Driver Board

KM11XN



KM12XP



Unique Function

- ※ The movable cutter is on the upper side, which is an easy loading mechanism to eliminate the paper jam easily, a structure to eliminate the paper jam by opening the upper cover, no need to retract the cutter manually.
- ※ Optional vertical and horizontal mounting method, flexible to fix.
- ※ Double paper holder, optional 80 and 200mm paper roller diameter
- ※ With reflective photo interrupter to detect the black mark or paper end.
- ※ With RS232, USB and Ethernet communication port optional.

Technical Specification

Model		KM11X	KM12X
Printing	Printing method	Thermal dot printing	
	Number of dots	576dots line	
	Resolution	8dots/mm(203dpi)	
	Paper width (mm)	80mm(paper with 79±0.5mm)	
	Valid Printing width(mm)	72mm	
	Paper thickness (μm)	60~85μm	
	Paper roll diameter	Φ80mm	Φ200mm
	Max printing speed	200~250mm/s	
Detection	Paper loading	Easy loading	
	Paper end/mark sensor	By photo interrupter	
	Platen open detection	By mechanical switch	
Operating Voltage	Head temperature	By NTC thermistor 30KΩ(25°C)	
	For printer head	24V±10%	
	For motor	24V±10%	
	For logic	3.3V~5V	
Peak current	For cutter motor	24V±10%	
	For head	2.2A(at 24V,64dots) / 3.3A (at 24V,96dots)	
	For motor	0.376A	
Character	For cutter	0.6A	
	Character structure	Alphanumeric、 Chinese	
	Number of columns	48 columns、 24 columns	
Fonts	Character size		
Barcodes	12*24、 24*24		
Life	Multilingual code page*12, Chinese, Japanese, Korean, others		
	11 barcodes: normal and rotated 90°		
	Abrasion resistance	100km(by using F230AA Mitsubishi, DJ03 or equivalent thermal paper)	
Memory	Pulse activation	100 million	
	Autocutter	500,000 cuts	
	Buffer	4k bytes	
Operating Environment	Spam	128k bytes	
	Flash	512k bytes	
	Operating temperature	0~50°C	
	Operating humidity	10~90%RH (No condensation)	
Physical Characteristics	Storage temperature	-20~60°C	
	Storage humidity	5~95%RH (No condensation)	
	Dimension	108.5*150.8*110.5	108.5*190.8*139.7
Interface	Weight (g)	438g	478g
		RS232C, USB, *ETHERNET	



KM11XP

Features

- ※ With paper outlet mouth optional, and with ticket not collect detector on the paper outlet mouth .
- ※ Optional two paper end sensor design, optional black mark sensor
- ※ With easy loading mechanism, which simplify and speed up the paper replacing greatly.
- ※ High printing endurance up to 100km(by using F230AA Mitsubishi paper, DJ03, or equivalent thermal paper)
- ※ With stepper motor auto paper cutter function, which can reduce cutter stuck, TPH burnt, and reduce the demand to the designers.

Application

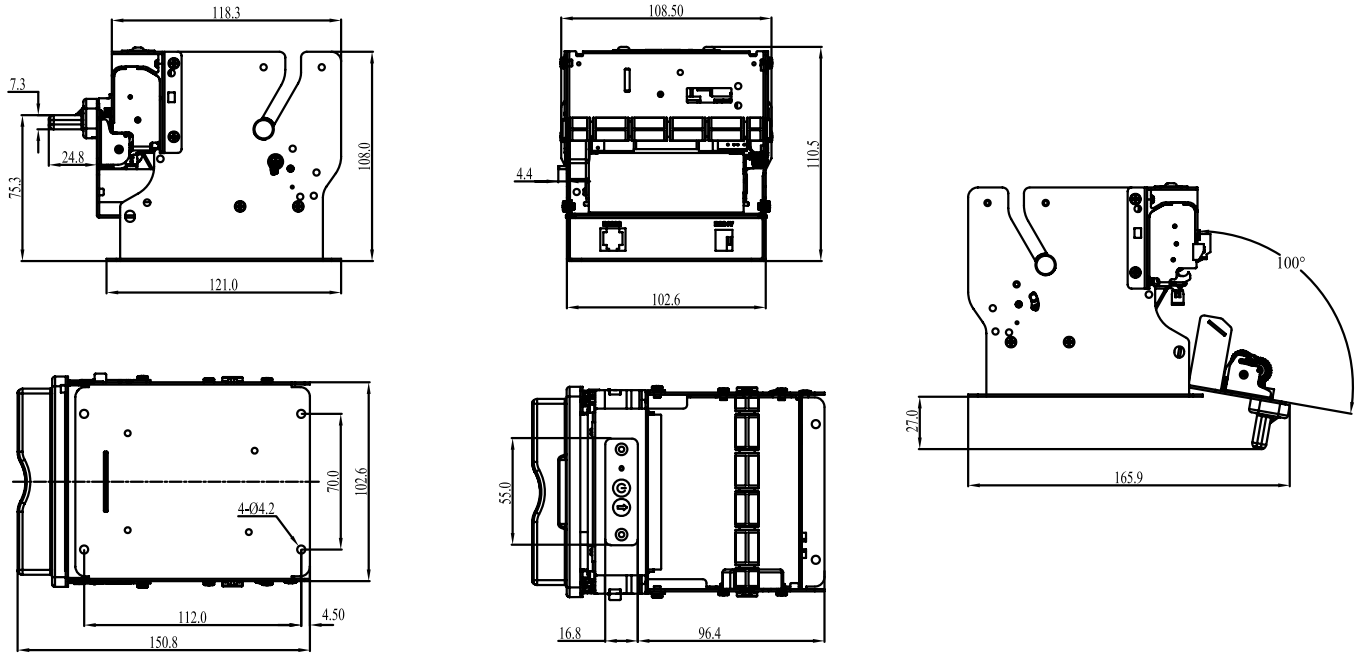
- ※ Vending machines
- ※ Self service KIOSK terminals
- ※ Ticket printers
- ※ Queue system
- ※ Parking lot
- ※ lottery issuing machines

Dimension

Unit:mm

General tolerance: $\pm 0.5\text{mm}$, $\pm 5^\circ$

KM11XP



KM12XP

